



AGT SKID STEER TRIMMER

AUTO GRADING TRIMMER

TRIM, GRADE AND ROLL ALL IN ONE PASS

The Burchland AGT, Auto Grading Trimmer is a skid steer mounted trimmer designed for site work and concrete contractors looking for a perfectly graded job site.

BURCHLAND™

Product Information

A Superior Grading Solution

The **Burchland AGT** soil skid steer attachment is ideal for trimming sub-grade soil under building pads, parking lots, curbs and gutters, sidewalks, trails, and roads. The AGT works well on job sites where a large road trimmer would not be practical. The versatility of the AGT Soil Skid Steer Trimmer allows it to easily handle job sites with varying grades and slopes like a parking lot with multiple drainage areas and islands.

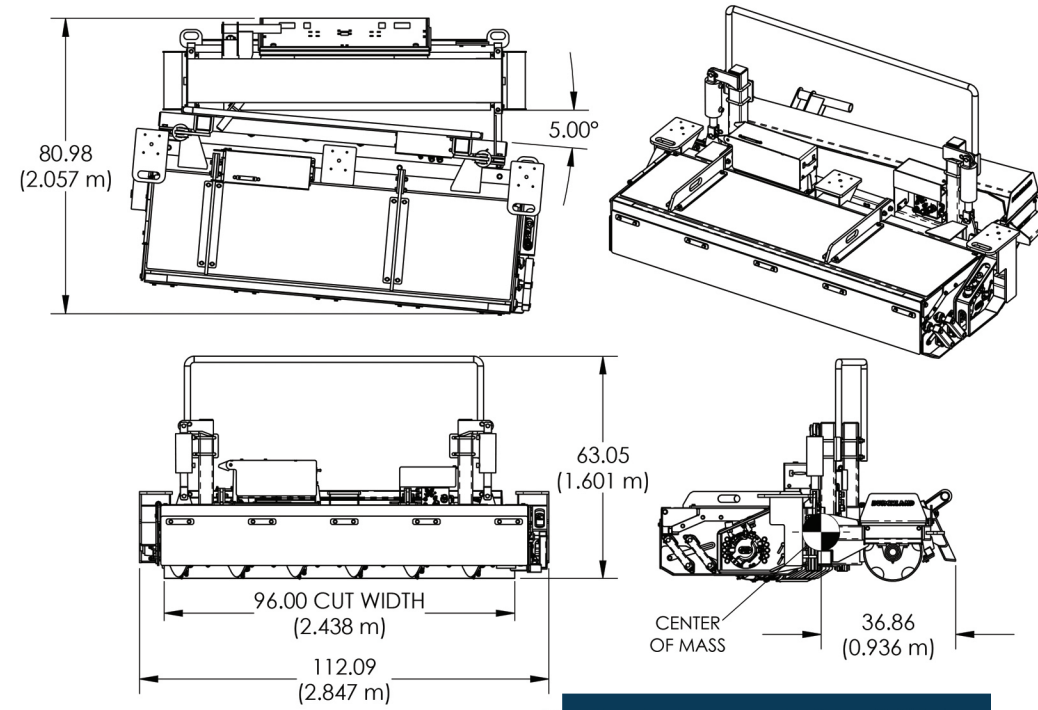


GRADING TRIMMER

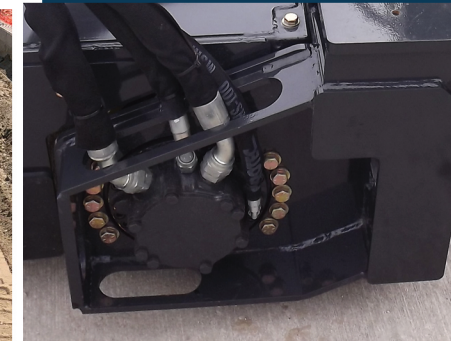
STANDARD FEATURES

- GPS and Robotic Total Station capable, eliminating the need for string-lining
- 96" cut path
- Functions in automatic or manual mode
- Pressure gauge visible in the cab allows the operator to adjust ground speed to varying soil conditions

Weight: 3,400 LBS.
Rotor Speed: 210 RPM at 35 GPM hydraulic flow



The AGT features an innovative, automatic control system that follows a 3-D CAD-designed surface, within sub-centimeter accuracy. Once a 3-D CAD surface file is uploaded to the machine controls, the skid steer trimmer will follow that surface grade precisely. The AGT can be outfitted with stringline controls, single and dual slope laser controls, as well as all forms of 3-D surface grading systems, including Robotic Total Station. *Trimmer can also be operated in manual mode.*



- a** 16" diameter, 1/2" steel flighted, integrated replaceable carbide cutting teeth
- b** 16" diameter rolling drum helps support the weight of the skid steer for a smooth ride and provides a smooth, final grade finish
- c** Mid-mounted grader blade that rides between the trimmer and the rolling drum
- d** 38.26 cubic inch displacement, direct-drive hydraulic motor

High flow auxiliary hydraulics are recommended

A five-degree cut angle helps windrow material and provide a smooth finish

Two hydraulic cylinders raise and lower the trimmer head to exactly match the designed finish grade elevation

Three hydraulic connections are required on the skid steer: Pressure, return and a separate case drain line for the hydraulic motor

Consult your skid steer dealer for a plumbing kit to install a case drain line if your skid steer is not already equipped with one.

SAVES AN AVERAGE
32¢ /SQ FT
ON A PAVING JOB

videos are available at
youtube.com/c/BURCHLANDMANUFACTURING



BURCHLAND™

Product Information

