



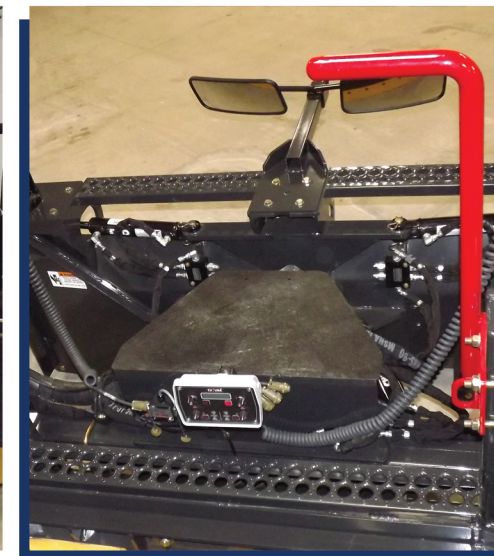
LGX LASER GRADER

The LGX Burchland Laser Grader is a first of its kind to the skid steer grading market. This is not your everyday box blade or skid steer grader attachment. This innovative attachment can be configured in many different ways and all from the operator's seat.

BURCHLAND™

Product Information

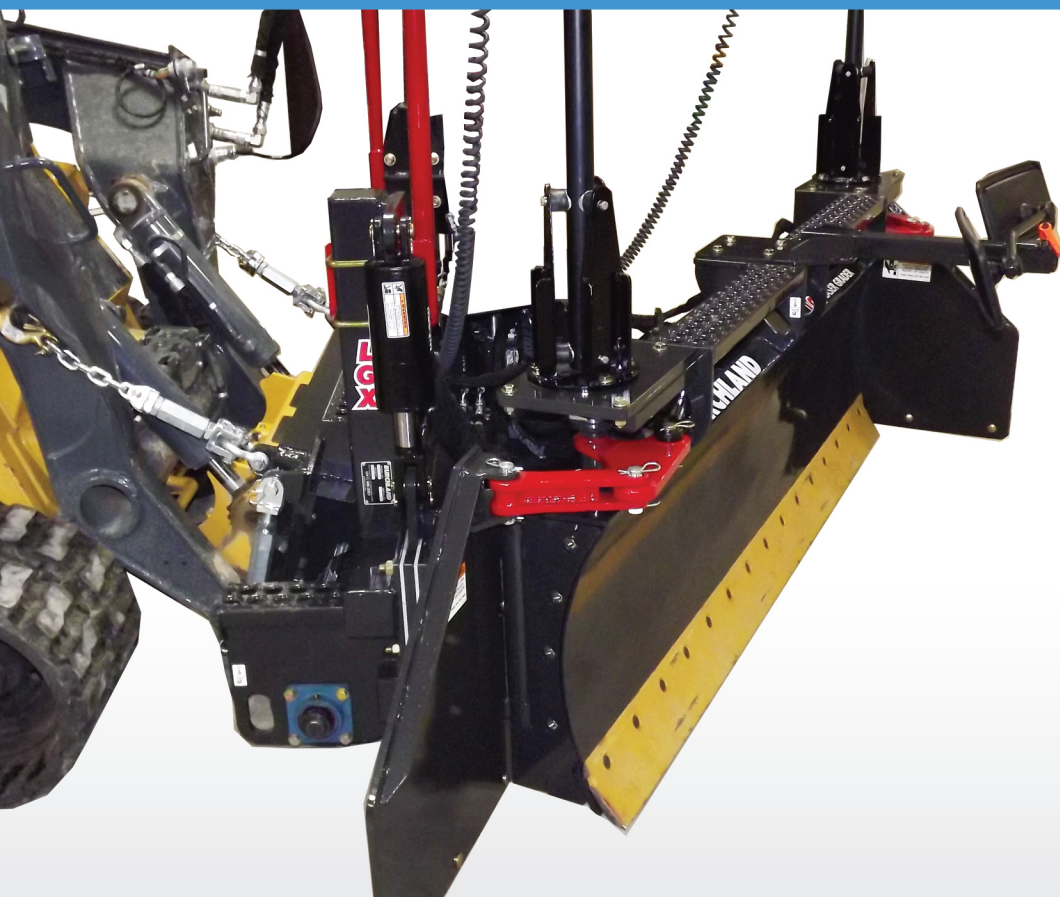
This versatile precision grading attachment has the capability to be controlled by: Laser, GPS, Total station and Sonic tracer. The versatility in control systems allows the owner to purchase any of the major brand machine controls and have it performed with great precision. The unique rear mounted support roller on this attachment allows the blade to be supported between the skid steer and the cut which will create a smooth grade. This system allows the operator to push fill into corners and changes in elevation, all while maintaining a precise grade. This benefit saves time and labor by not having to manually fill corners by hand, like the competitors models.



STANDARD FEATURES

- Universal skid steer mount
- Laser, GPS, Total Station, Sonic tracer and string line capable
- Available in 7', 7'6" and 8' blade width
- Mid mounted stabilizing roller
- Can be operated in auto or manual mode
- 25 degree hydraulic blade rotation each direction
- 270 degree hydraulic wing rotation

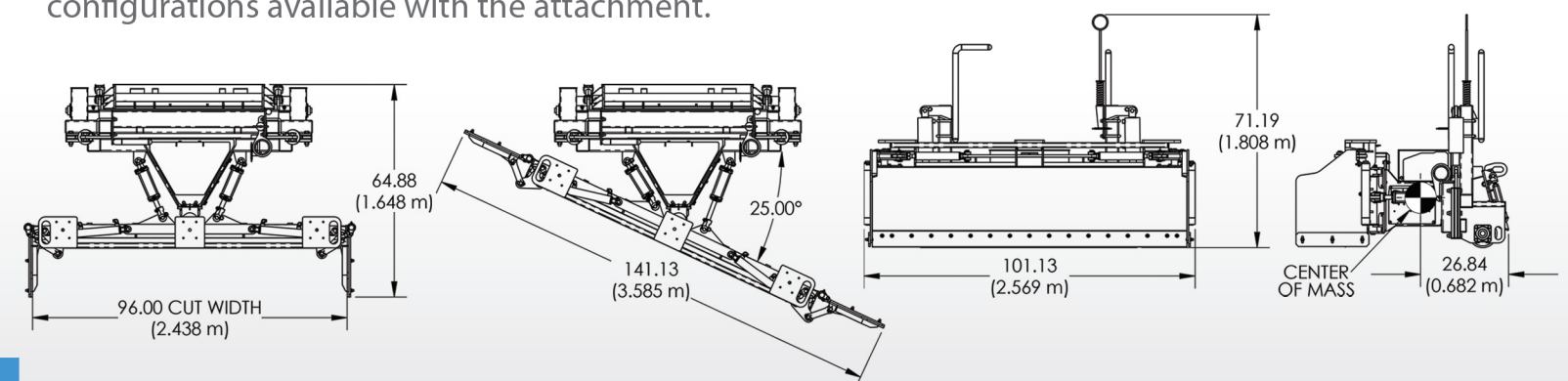
LGX LASER GRADER



The LGX Burchland Laser Grader is a highly durable grader/box blade that delivers a precise grade on many different styles of jobsite. This grader can be found prepping subgrade for parking lots, streets, highways, athletic fields, driveways and any other job that requires a precise grade. This hybrid grader allows the operator to independently and hydraulically rotate the end plates 270 degrees, from folded directly behind the blade to all the way straight forward transforming the grader blade into a box blade.



The LGX Burchland Laser Grader is proven to be a reliable attachment for finish grading. You will achieve a flatter, more consistent grade while accelerating your grading projects. The grader/box blade is one of the highest performing grading systems available for skid loaders allowing maximum production. The unique design will give the operator exceptional control of the grade and the multiple configurations available with the attachment.

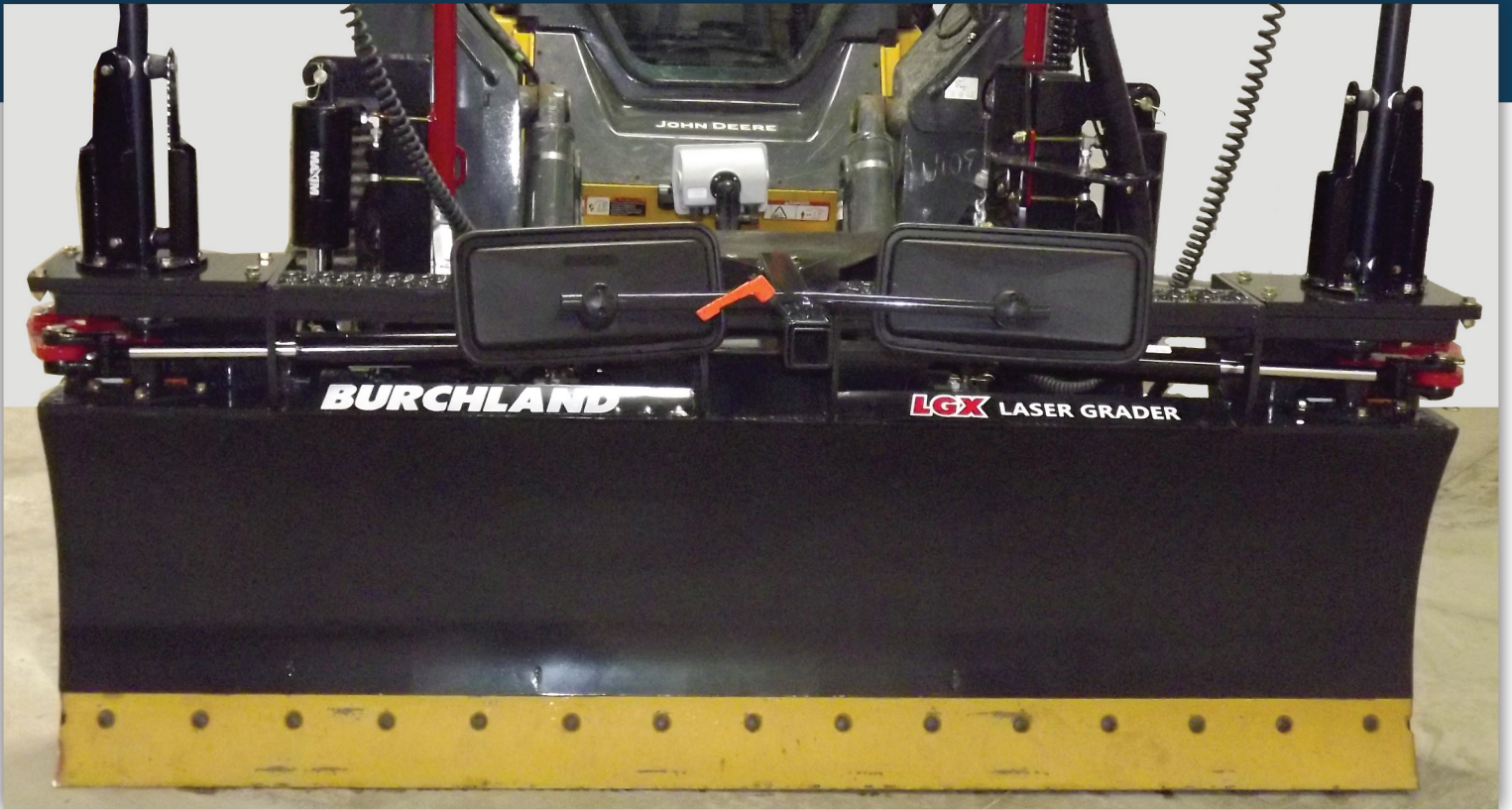


videos are available at
[youtube.com/c/BURCHLANDMANUFACTURING](https://www.youtube.com/c/BURCHLANDMANUFACTURING)



BURCHLAND™

Product Information



PROUDLY MADE
in the
USA

BURCHLAND™